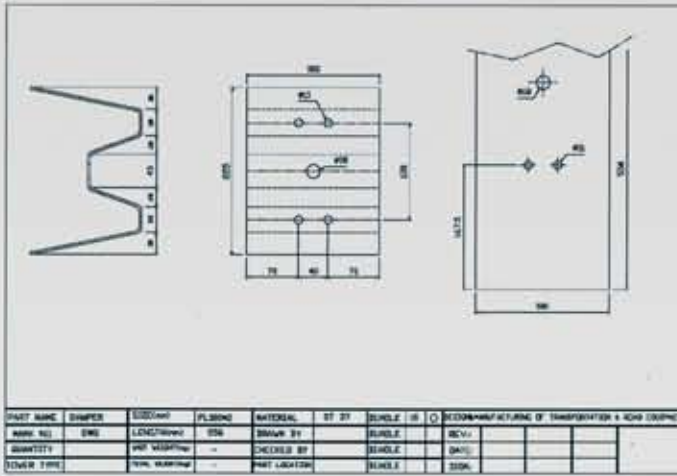




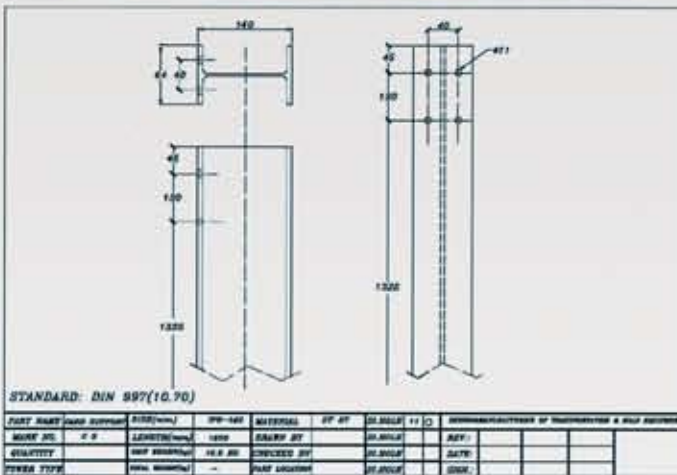
Guardrail VW



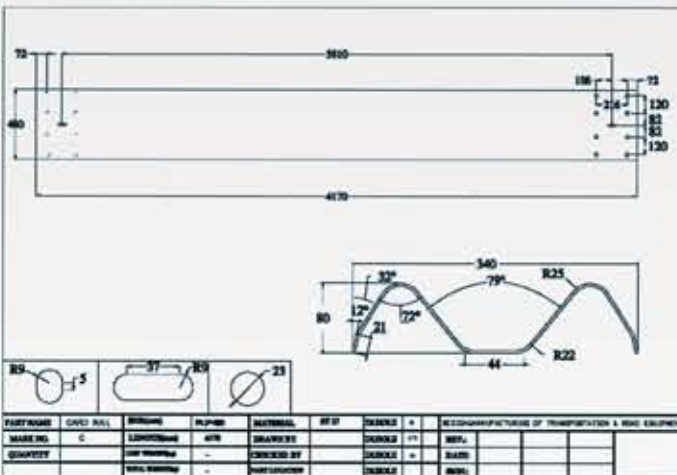
Damper (Spacer)



Support (Post)



W Beam



Material = St 37
 Thickness = 3 mm
 Width= 520 mm
 Length = 4320 mm
 Galvanized weight (Approximate) = 79 kg

